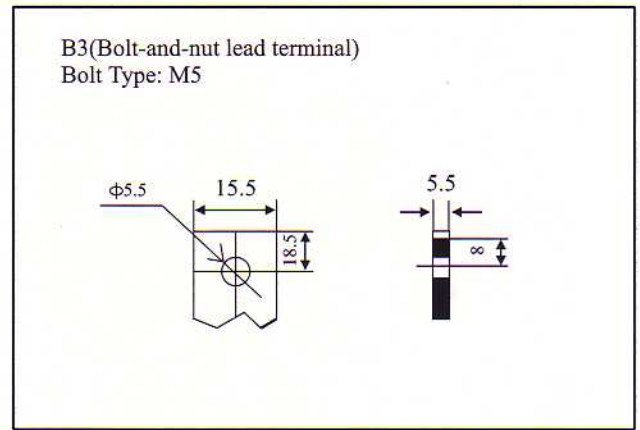
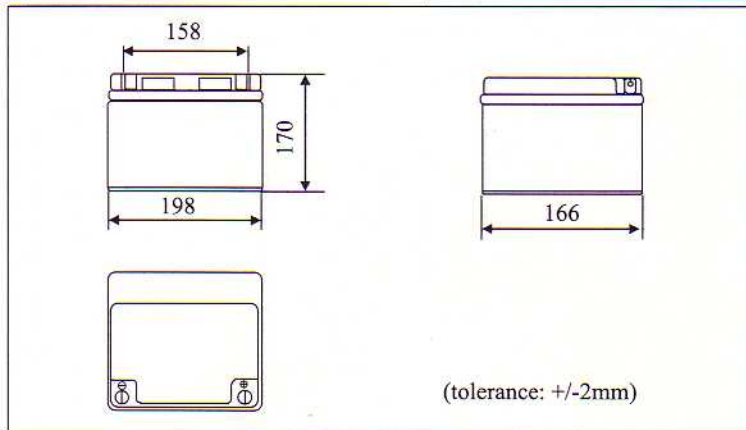


## PM12-44

Major Application(s): Portable electric appliance etc.

### PHYSICAL SPECIFICATION

Nominal Voltage Nominal Capacity(10HR)		12V 44AH
Dimension	Length	198±2mm (7.80inches)
	Width	166±2mm (6.53 inches)
	Container Height	170±2mm (6.69inches)
	Total Height	170±2mm (6.69inches)
Weight		Approx 13.8Kg (30.4 lbs)
Standard Terminal		B3(Bolt & nuts Lead Terminal) Bolt Type:M5



### ELECTRICAL SPECIFICATION

Capacity	20 hour rate(2A)	44Ah
	10 hour rate(3.8A)	38Ah
	5 hour rate(6.5A)	32.5Ah
	3 hour rate(10A)	30Ah
	1 hour rate(24A)	22.8Ah
Capacity affected by temperature	40°C (104°F)	102%
	25°C (77°F)	100%
	0°C (32°F)	85%
Internal Resistance	Fully charged battery(25°C, 77°F)7mΩ	

It is recommended to use constant-voltage charge and recharge immediately after use

Constant-Voltage Charge	Cycle	Initial Charging Current less than 10A Voltage 14.1V-14.4V at 25°C (77°F) Temperature Coefficient -18mV/°C
	Standby	No limit on Initial Charging Current Voltage 13.5V-13.8V at 25°C (77°F) Temperature Coefficient -18mV/°C

