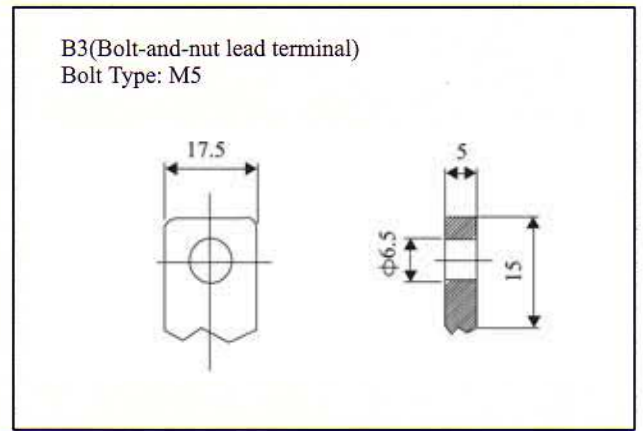
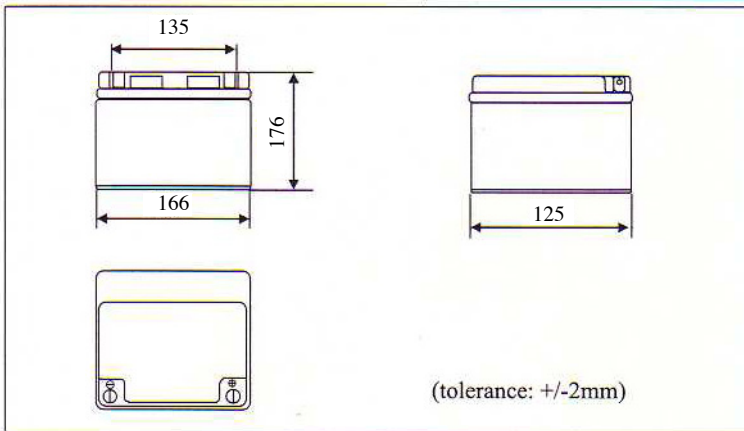


PHYSICAL SPECIFICATION

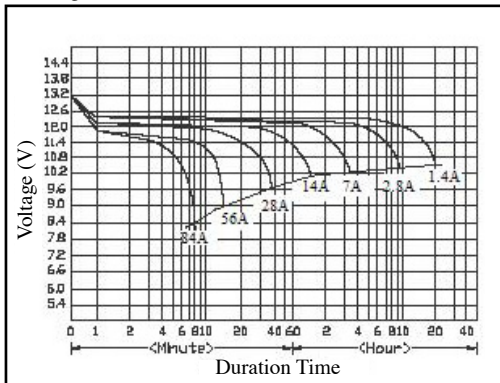
Nominal Voltage		12V
Nominal Capacity (20HR)		28AH
Dimension	Length	166±2mm
	Width	176±2mm
	Container Height	128±2mm
	Total Height	128±2mm
Weight		Approx 9.3Kg
Standard Terminal		B3(Bolt & nuts Lead Terminal) Bolt Type:M5



ELECTRICAL SPECIFICATION

Capacity	20 hour rate (1.4A)	28Ah	It is recommended to use constant-voltage charge and recharge immediately after use		
	10 hour rate (2.6A)	26Ah			
	5 hour rate (4.76A)	23.8Ah			
	1 hour rate (16.8A)	16.8Ah			
Capacity affected by temperature	40°C (104°F)	102%	Constant-Voltage Charge	Cycle	Initial Charging Current less than 11.2A
	25°C (77°F)	100%			Voltage 14.1V-14.4V at 25°C (77°F)
	0°C (32°F)	85%	Standby	Initial Charging less than 4A	Voltage 13.5V-13.8V at 25°C (77°F)
Internal Resistance	Fully charged battery(25°C, 77°F) 8mΩ				

Discharge Characteristics (25°C, 77°F)



Discharge Current & Discharge Duration Time

