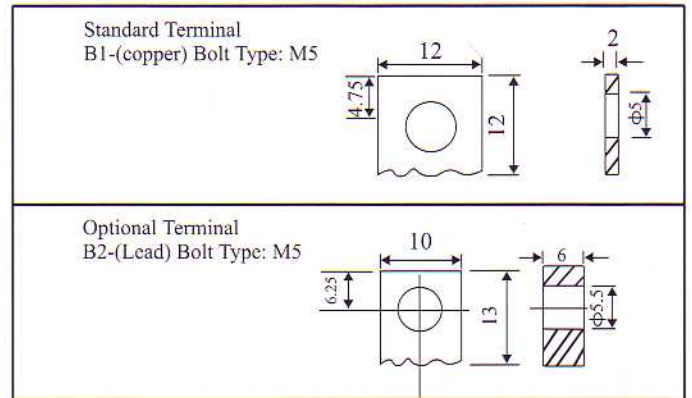
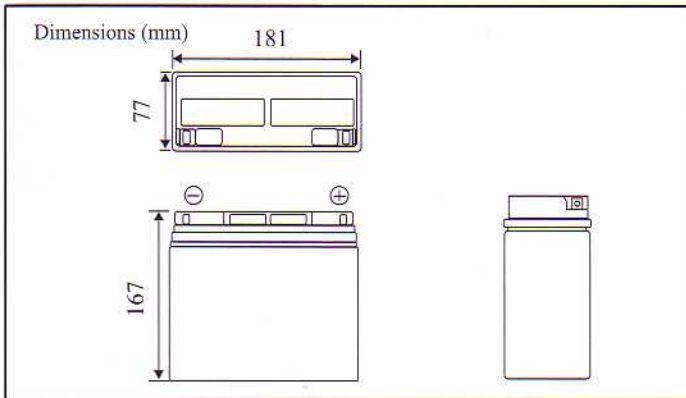


PHYSICAL SPECIFICATION

Nominal Voltage		12V
Nominal Capacity(20HR)		18AH
Dimension	Length	181±1mm (7.13inches)
	Width	77±1mm (3.03 inches)
	Container Height	167±2mm (6.57 inches)
	Total Height	167±2mm (6.57 inches)
Weight		Approx 6.1Kg (13.44 lbs)
Standard Terminal		B1-Bolt and nuts terminal



ELECTRICAL SPECIFICATION

Capacity	20 hour rate(0.90A)	18Ah
	10 hour rate(1.8A)	17.1Ah
	5 hour rate(2.88A)	15.3Ah
	1 hour rate(10.80A)	10.8Ah
Capacity affected by temperature	40°C (104°F)	105%
	20°C (68°F)	100%
	0°C (32°F)	85%
Internal Resistance	Fully charged battery(20°C, 68°F)15mΩ	

It is recommended to use constant-voltage charge and recharge immediately after use		
Constant-Voltage Charge	Cycle	Initial Charging Current less than 5.4A Voltage 14.4V-15.0V at 20°C (68°F) Temperature Coefficient -30mV/°C
	Standby	Voltage 13.5V-13.8V at 20°C (68°F) Temperature Coefficient -20mV/°C

