



**VALVE REGULATED  
LEAD ACID BATTERY (V.R.L.A.)**



**ABSORBED GLASS MAT  
TECHNOLOGY (A.G.M.)**



**10 YEAR DESIGN FOR UPS AND  
STANDBY APPLICATIONS**

## Specifications

Cells per unit	6
Nominal voltage	12
Terminal type	M8/20
Maximum discharge current	800 amps@5sec
Short circuit current	3366 amps
Impedance@77°F 25°C	4.10 milliohms
Weight lbs / kgs	71.7 / 32.5 +/-5%
Electrolyte (S.G.)	1.300
Capacity @ 77° (25°C) to 1.75 V.P.C.	100.0 AH (20 hrs)
Ideal operating temperature range	+68°F (+20°C) to +77°F (25°C)
Extended operating temperature range	Discharge: -40°F (-40°C) to +140°F (+60°C) Charge: -40°F (-40°C) to +122°F (+50°C)
Float Voltage	13.5 to 13.8 @ 77°F (25°C)
Maximum charging current	C/4 amperes at 100% discharge Unlimited at partial discharge.
AC ripple from charging source	1.5% peak to peak of float charge voltage
Storage	6months at 77°F (25°C)

## Features

- Gas recombination greater than 99%
- Operates at low internal pressure.
- Never needs watering, minimal maintenance.
- 99.7% pure lead calcium grids.
- Shock absorbent thick wall construction.
- Cold forged non-porous terminal bushings, eliminate post leakage.
- Thermally welded case to cover bond, eliminates both acid and electrical leaks.
- Over-sized, through the partition inter-cell welds provide low resistance connections, with minimal power loss.
- Each cell has a low pressure safety release venting system, recognized per U.L 924.
- Measured high vacuum acid fill, reduces electrical variability between cells.
- 100% recyclable materials.

## Options

The Battery has a flame retardant ABS(UL94-V0) case and cover compliant with UL 1778; with an oxygen index greater than 28%

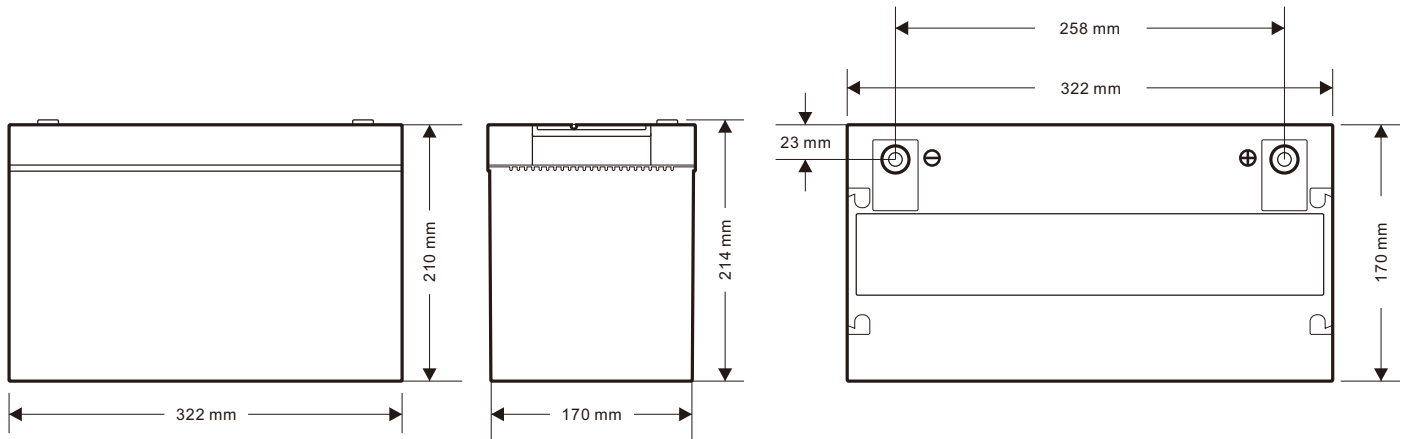
## No transport restrictions

- Surface transport. Classified as non-hazardous material as relates to DOT-CFR Title 49 part 171-189.
- Maritime transport. Classified as non-hazardous material as per IMDG amendment 27.
- Air transport. Complies with IATA / ICAO, special provision A67.

## DISCHARGE SPECIFICATIONS

### Constant power ratings, Watts per battery @ 77°F (25°C) in minutes

Final V.P.C.	5	10	15	20	30	40	45	50	60	90
1.60	4312	3331	2575	2244	1596	1280	1179	1077	936	682
1.67	4050	3223	2526	2209	1575	1266	1167	1068	930	680
1.70	3935	3176	2474	2148	1538	1232	1132	1044	916	626
1.75	3552	2802	2197	1943	1435	1139	1050	962	838	613



**CR3 cabinet model**

Power Battery offers an extensive line of pre-wired and fused battery cabinets complete with UL and CUL approval. Standard and custom DC voltages complete with breakers and chargers are available.

Battery Cabinet Systems (pre-wired with PRC/TC-12100S batteries)					
Battery cabinet model	Maximum #of batteries	Dimensions			
		Inches / millimeters			Weight lbs/kgs
		W	D	H	
KS5	2	15.0/381	25.0/635	15.75/400	181/85.8
KS6	4	16.0/406	34.5/876	17.75/451	367/166.8
KS7	8	16.0/406	34.5/876	37.25/946	733/333
CR1	12	24.0/610	32.5/826	43.0/1092	1135/567.5
CR3	20	40.0/1016	32.5/826	43.0/1092	1784/810.9
CR6	30	40.0/1016	32.5/826	60.0/1524	2629/1195
CR4	40	40.0/1016	32.5/826	77.0/1956	3474/1579.1

**Constant current ratings, Amperes @ 77° (25°C) in hours**

Final V.P.C	1	2	3	4	5	6	8	10	12	24
1.75	77.7	45.2	32.8	25.9	21.2	18.1	14.0	11.4	9.8	5.3
1.80	76.4	44.6	32.4	25.2	20.9	17.8	13.8	11.3	9.6	5.2
1.85	72.5	42.9	31.0	24.1	20.0	17.0	13.1	10.8	9.2	4.9
1.90	61.4	37.0	26.8	21.0	17.3	14.7	11.2	9.2	7.8	4.2

**U.S.A**  
Power Battery Company, Inc.  
25 McLean Blvd.  
Paterson, N.J. 07514-1507  
Phone: (973) 523-8630  
Fax: (973) 523-3023  
E-mail: [sales@powbat.com](mailto:sales@powbat.com)  
Website: [www.powerbatteryco.com](http://www.powerbatteryco.com)

**CANADA**  
Power Battery (Iberville) Ltd.  
770 Thomas Ave.  
Iberville, Québec, J2X 5E7  
Phone: (450) 346-3273  
Fax: (450) 346-8003  
E-mail: [powerbat@sympatico.ca](mailto:powerbat@sympatico.ca)  
Website: [www.powerbatteryco.com](http://www.powerbatteryco.com)

**UK**  
Power Batteries Ltd.  
Premier Way, Abbey Park Industrial Estate  
Romsey, Hampshire, So51 9AQ  
Phone: +44 (0) 1794 835900  
Fax: +44 (0) 1794 835910  
E-mail: [sales@powbat.co.uk](mailto:sales@powbat.co.uk)  
Website: [www.powerbatteryco.com](http://www.powerbatteryco.com)

**ITALY**  
Power Battery Srl  
Via Locatelli 105  
20046 Biassono MI - ITALY  
Phone: +(39) 039 2324571  
Fax: +(39) 039 2499200  
E-mail: [calberti@powbat.it](mailto:calberti@powbat.it)  
Website: [www.powerbatteryco.com](http://www.powerbatteryco.com)

**HONG KONG**  
Power Battery (PACIFIC RIM) Ltd.  
Add: Unit 3, 23/floor, Marina House,  
68 Hing Man Street,  
Shaoukeiwan, Hong Kong  
Phone: +(852) 2-560-2222  
Fax: +(852) 8343-8434  
E-mail: [bplhk@bplhk.com](mailto:bplhk@bplhk.com)  
Website: [www.powerbatteryco.com](http://www.powerbatteryco.com)